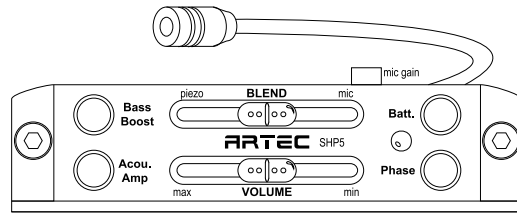


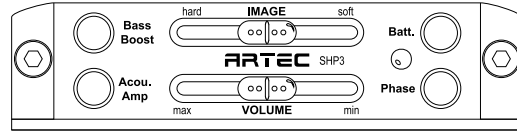
SHP5

- Active Preamp
- Mic blender
- Acoustic amp simulator
- Bass booster
- Anti-feedback phase sw.



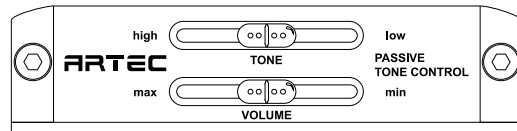
SHP3

- Active Preamp
- Acoustic amp simulator
- Bass booster
- Anti-feedback phase sw.



SHP2

- Passive control
- 1 volume and 1 Tone

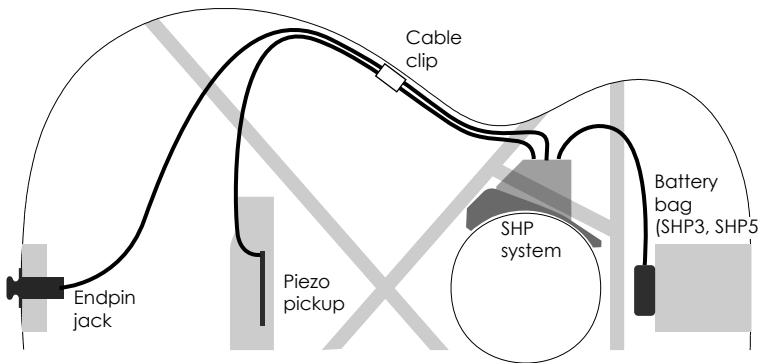


- **Mic gain:** mic sensitivity control (SHP5)
Notice: high level of mic gain can cause of unstable feedback noise
- **Blend:** balance of piezo and mic (SHP5)
- **Volume:** output level control
- **Batt:** battery check switch
when press, LED will light if battery is good
- **Phase:** phase shift switch for anti feedback
- **Bass booster:** increase 6dB@100Hz range
- **Acou. amp:** simulation function of acoustic amp sound
- **Image:** tone control of high frequency range
- **Tone:** passive high-cut tone control (SHP2)

Package include:

- Soundhole Preamp
- Hex wrench
- Endpin Jack with cable, 3 screws
- Cable Clip
- Battery bag, Snap, Velcro (SHP3, SHP5)
- Piezo Pickup (complete kit only)

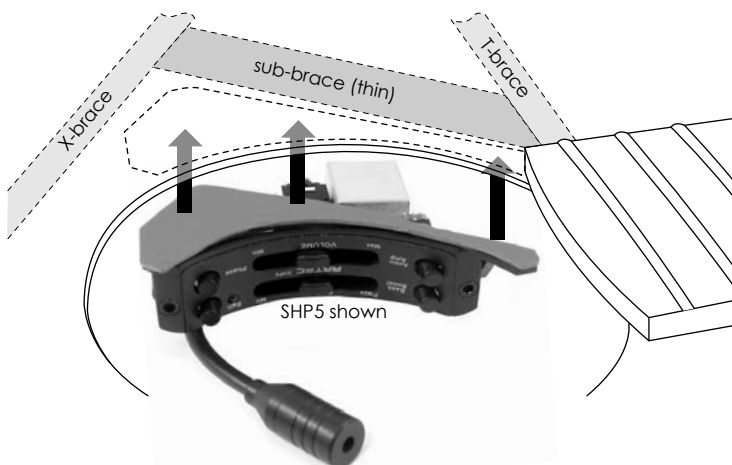
INSTALLATION



1. Test for fit with bracket assembled SHP preamp.

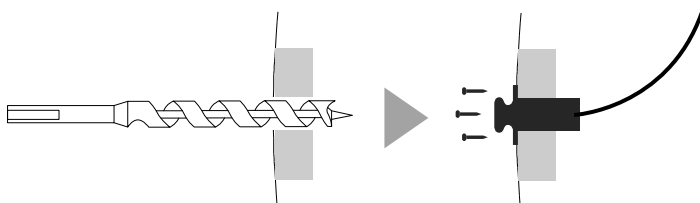
If no need modification for installation, go to next step.

- SHP series is fit for most of popular acoustic guitar without modification.
- Some guitars has special designed bracing system may required modification for installation.



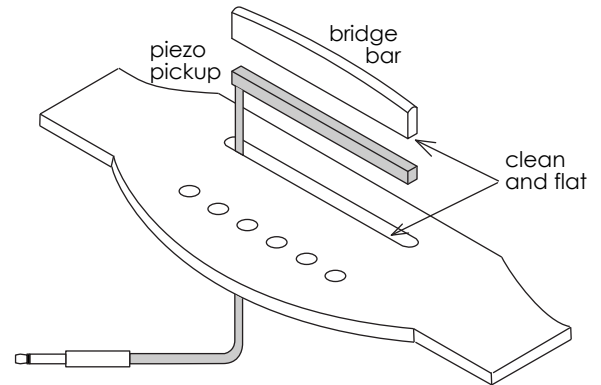
2. Endpin jack installation

- Make a hole for endpin jack. Use 15.5 mm, 16.0 mm or 5/8 inch drill bit for wood.
- Install the endpin jack with three small screws (included).
Endpin jack has power switch function. System will turn on when plug in.



3. Piezo pickup installation

- Make clean and flat for bottom of bridge cavity.
- Reduce height of bridge bar as pickup's height.
- make a hole for piezo pickup cable (use 3mm or 1/8").



4. SHP preamp installation

- Make clean the surface of guitar inside with sand paper.
- Put the bracket up with attached stickertape on the bracket.
- Or, use two-part epoxy or cyanoacrylate glue (for wood) for strong bond.
- Connect piezo pickup, endpin jack and battery snap cable.
- Install battery bag with included velcro tape.
- Install SHP preamp on the bracket and tighten hex screws.
- Install 9V alkaline battery into battery bag.

