

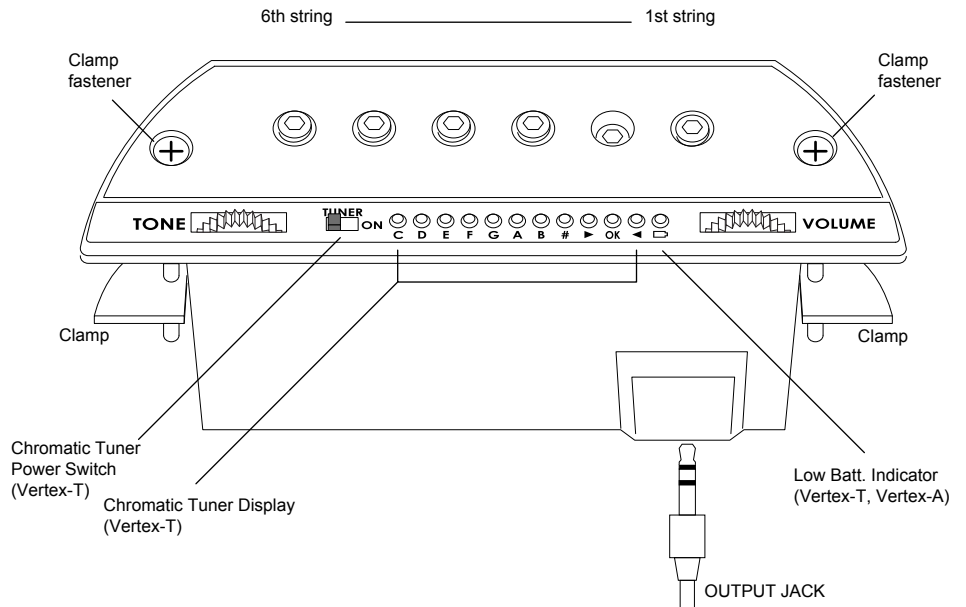
VERTEX-T
Active Preamp with Tuner

VERTEX-A
Active Preamp

VERTEX-P
Passive Control

Specifications:

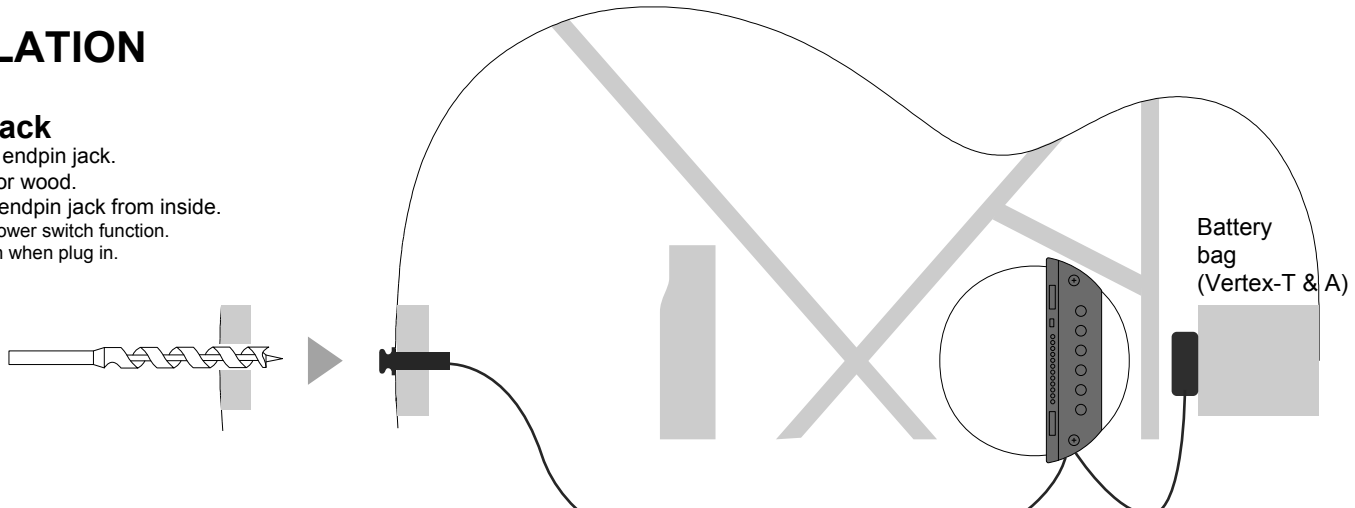
- Neodymium Stack bobbin
- Humbucker pickup
- 1 Volume, 1 Tone
- ENN Endpin Jack included
- Battery bag included (Vertex-T, Vertex-A)



INSTALLATION

1. Endpin jack

- Make a hole for endpin jack. Use 12 drill bit for wood.
- Install the ENN endpin jack from inside.
- * Endpin jack has power switch function. System will turn on when plug in.

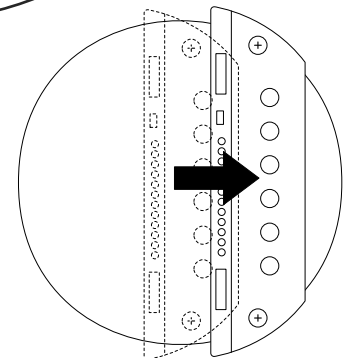


2. Battery Bag (Vertex-T, Vertex-A)

- Make clean the surface for battery bag
- Stick the included battery bag to neck-joint-block

3. Pickup Setting

- Release both clamp
- Insert output jack
- Connect a 9V Alkaline Battery and put to battery bag
- Seat the pickup over soundhole
- Move forward
- Align the pickup's pole-pieces with strings
- Fasten both fastener screw



* VERTEX pickups are designd for RIGHT-HAND guitar. If you want use it for Left-hand guitar, seat the pickup on bridge side of sound-hole.
* Pull out guitar cable from jack to prevent unwanted battery consumption.