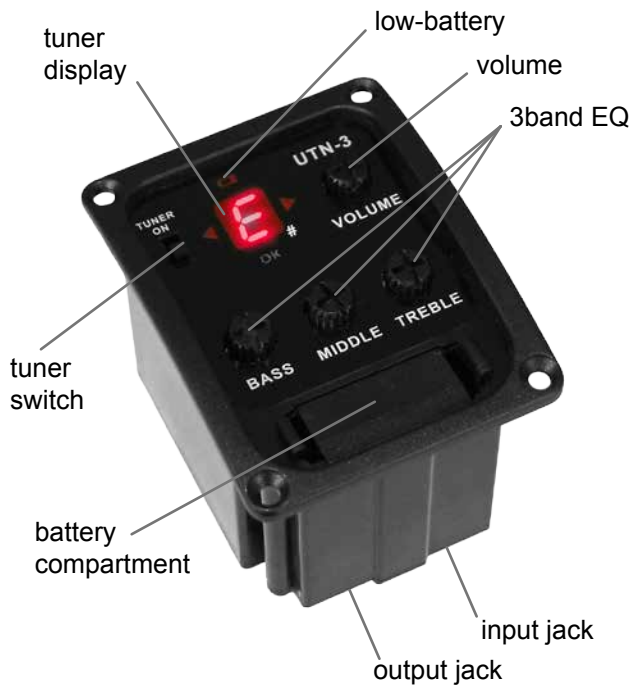


UTN3

3 Band EQ preamp with chromatic tuner for UKULELE

ARTEC
<http://artecsound.com>



FEATURES

3 Band EQ.

- TREBLE : High range
- MIDDLE : Mid range
- BASS : Low range

VOLUME : Master output level

TUNER : Power switch of built-in tuner.

* Sound output will be mute while tuner is on.

** Tuner can work without plugging into output jack.

SPECIFICATION

BATTERY :

CR2032 - 3V Battery x 2

VOLTAGE RANGE :

Min 5V to Max 8V

INPUT IMPEDANCE :

1Mohm

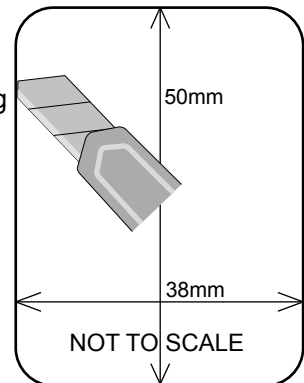
OUTPUT IMPEDANCE :

1Kohm

Power is OFF when unplugging output jack.

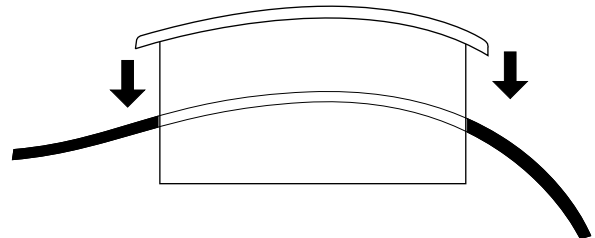
INSTALLATION

1. Find the location having the same curve as UTN3 on the side of the instrument

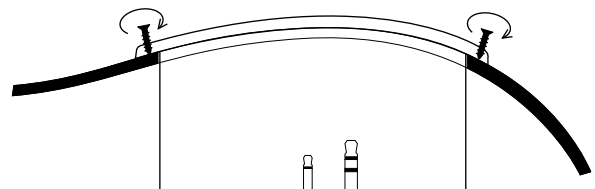


2. Cut out the hole with template

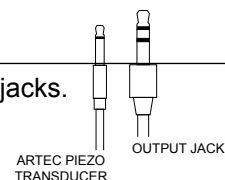
3. Insert UTN3 into hole on the instrument.



4. Fasten 4 screws.



5. Put plugs into jacks.



6. Open battery compartment and insert two CR2032 batteries.

