

ATX Acoustic Amps

ATX200
200w, 4 speakers

ATX100
100w, 2 speakers

OWNER'S NAMUAL

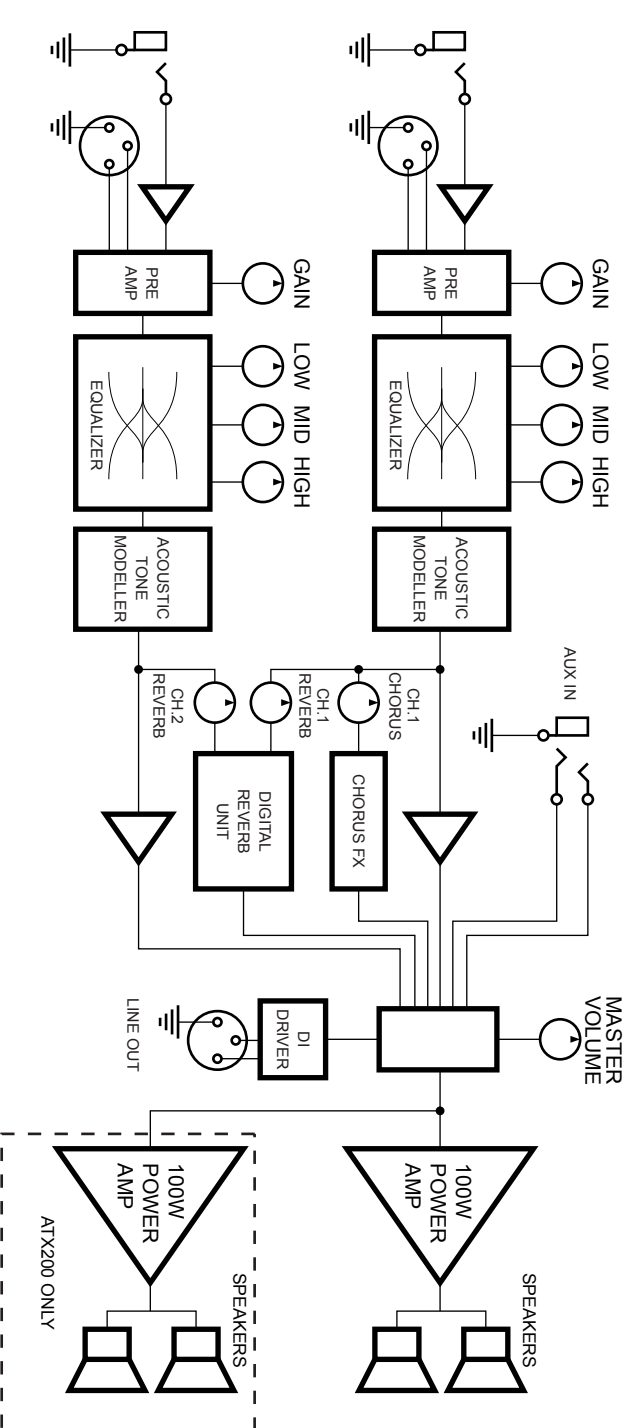


stand not included



Congratulation for choosing ATX Acoustic Amplifier. This amplifier provides quality acoustic sound and high output with the latest advanced digital audio technology. This system is specially designed for electric-acoustic guitar. Allso ATX works great with most kind of acoustic instrument that equipped piezo pickups or microphones.

ATX100 & ATX200 BLOCK DIAGRAM



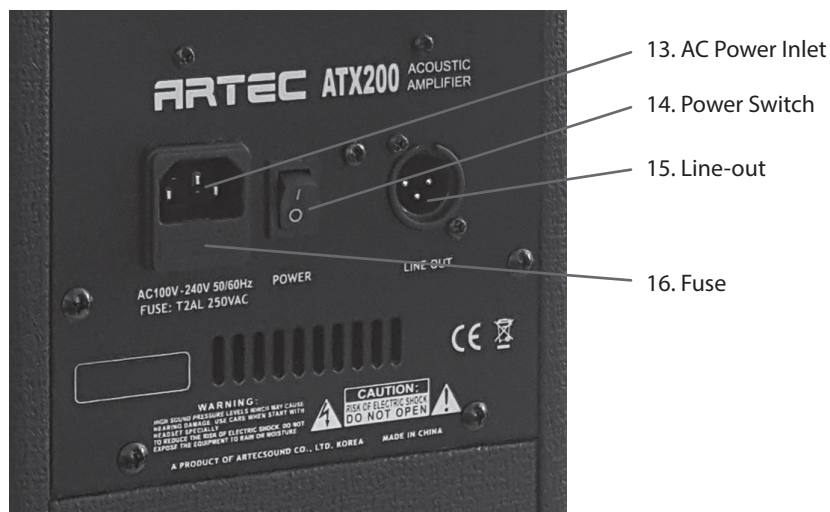
IMPORTANT SAFETY INSTRUCTIONS

- DO NOT OPERATE NEAR ANY HEAT SOURCE AND DO NOT BLOCK ANY VENTILATION OPENINGS ON THIS APPARATUS.
- ONLY CONNECT POWER CORD TO A POLARIZED, SAFETY GROUNDED OUTLET WIRED TO CURRENT ELECTRICAL CODES AND COMPATIBLE WITH VOLTAGE, POWER, AND FREQUENCY REQUIREMENTS STATED ON THE REAR PANEL OF THE APPARATUS.
- ONLY USE ATTACHMENTS, ACCESSORIES, STANDS, OR BRACKETS SPECIFIED BY THE MANUFACTURER FOR SAFE OPERATION AND TO AVOID INJURY.
- WARNING: TO REDUCE THE RISK OF ELECTRIC SHOCK OR FIRE, DO NOT EXPOSE THIS UNIT TO RAIN OR MOISTURE.
- OUR AMPLIFIERS ARE CAPABLE OF PRODUCING HIGH SOUND PRESSURE LEVELS. CONTINUED EXPOSURE TO HIGH SOUND PRESSURE LEVELS CAN CAUSE PERMANENT HEARING IMPAIRMENT OR LOSS. USER CAUTION IS ADVISED AND EAR PROTECTION IS RECOMMENDED IF UNIT IS OPERATED AT HIGH VOLUME.





7. Combo-Input
8. Clip Indicator
9. Gain
10. Low
11. Mid
12. High



13. AC Power Inlet
14. Power Switch
15. Line-out
16. Fuse

FEATURES

- 1. Aux input:** Use the stereo or mono 1/4 inch input to connect CD/PHONE/PC or Keyboard. Stereo signals are merged to mono on this jack.
- 2. Power Indicator:** This LED lamp indicates internal DC power.
- 3. Master Volume**
- 4. Chorus for Ch.1:** Chorus Effect Switch and Rate control. Channel 1 only.
- 5. Reverb for Ch.1:** Digital Reverb Level control for Channel 1
- 6. Reverb for Ch.2:** Digital Reverb Level control for Channel 2
- 7. Combo-Input:** 1/4 inch jack : Mono, High-Z input (Z= 4.5Mohm)
XLR jack : balanced Low-Z input (Z=1kohm)
- 8. Clip Indicator:** This lamp Indicates signal clipping on input buffer stage
- 9. Gain:** This knob controls gain amount between input buffer and equalizer
- 10. Low:** Bass on equalizer f=90Hz, +10dB to -10dB
- 11. Mid:** Middle on equalizer f=700Hz, +10dB to -10dB
- 12. High:** Treble on equalizer f=4000Hz, +10dB to -10dB
- 13. AC Power Inlet:** "FREE VOLT". AC inlet. AC100V to 240V, 50Hz / 60Hz
- 14. Power Switch**
- 15. Line-out:** Balanced XLR, Internal-DI output to connect MIXER or extra amplifier.
This output jack provides line-out signal from 'before Master Volume' stage.
- 16. Fuse:** Use T2AL 250VAC

SPECIFICATIONS

ATX200: 200watts, 4 speakers
w795 x d190 x h180 / 10kg

ATX100: 100watts, 2 speakers
w485 x d190 x h180 (mm) / 5.9kg

COMMON:

Two input channels
Lo-Z balanced and Hi-Z unbalanced combo input jack
one 1/4 inch aux input for music players
one xlr line out
chorus fx and DSP reverb
class-D amplifier technology
free volt AC power: 100v to 240v, 50 / 60hz