

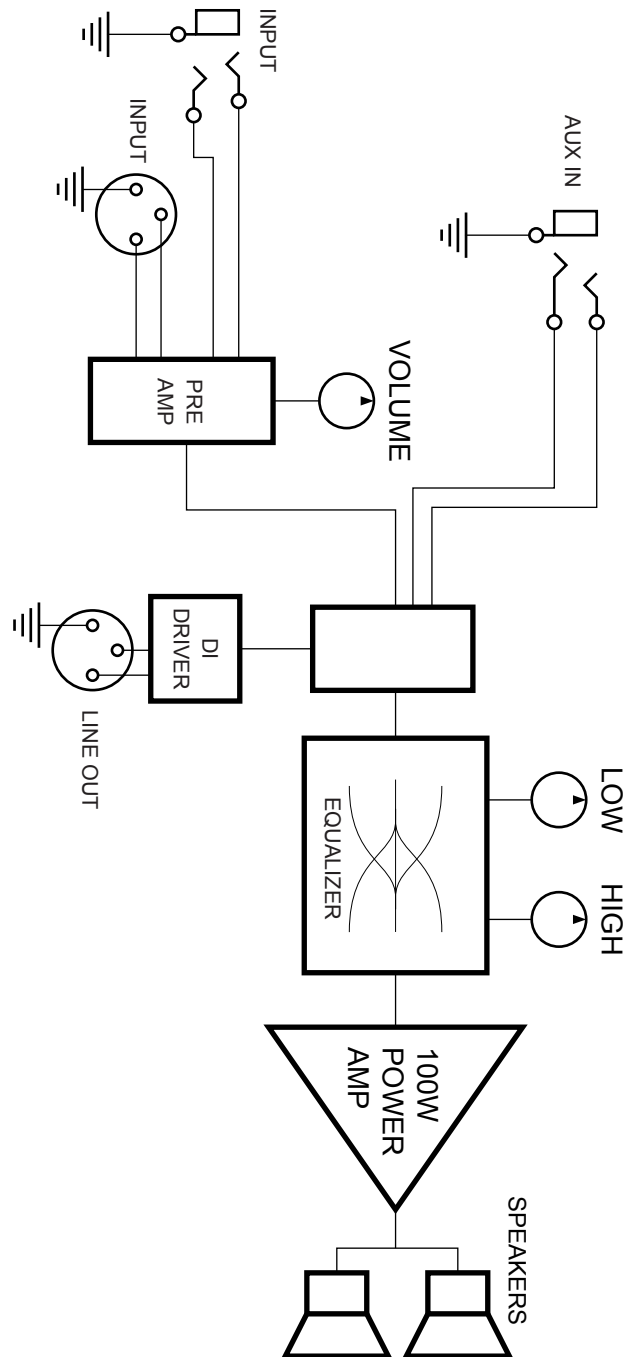
MPA 100w, 2 speakers Micro PA / Multi-Purpose Amp



stand not included

Congratulation for choosing MPA Micro PA / Multi-Purpose Amp. This amplifier provides quality sound and high output with the latest advanced digital audio technology. This system is specially designed for Multi-purpose. Also MPA works great with most kind of sound sources.

MPA BLOCK DIAGRAM





IMPORTANT SAFETY INSTRUCTIONS

- DO NOT OPERATE NEAR ANY HEAT SOURCE AND DO NOT BLOCK ANY VENTILATION OPENINGS ON THIS APPARATUS.
- ONLY CONNECT POWER CORD TO A POLARIZED, SAFETY GROUNDED OUTLET WIRED TO CURRENT ELECTRICAL CODES AND COMPATIBLE WITH VOLTAGE, POWER, AND FREQUENCY REQUIREMENTS STATED ON THE REAR PANEL OF THE APPARATUS.
- ONLY USE ATTACHMENTS, ACCESSORIES, STANDS, OR BRACKETS SPECIFIED BY THE MANUFACTURER FOR SAFE OPERATION AND TO AVOID INJURY.
- WARNING: TO REDUCE THE RISK OF ELECTRIC SHOCK OR FIRE, DO NOT EXPOSE THIS UNIT TO RAIN OR MOISTURE.
- OUR AMPLIFIERS ARE CAPABLE OF PRODUCING HIGH SOUND PRESSURE LEVELS. CONTINUED EXPOSURE TO HIGH SOUND PRESSURE LEVELS CAN CAUSE PERMANENT HEARING IMPAIRMENT OR LOSS. USER CAUTION IS ADVISED AND EAR PROTECTION IS RECOMMENDED IF UNIT IS OPERATED AT HIGH VOLUME



A PRODUCT OF ARTECSOUND CO., LTD. KOREA

MADE IN CHINA

FEATURES

- 1. Fuse:** Use T2AL 250VAC
- 2. AC Power Inlet:** 'FREE VOLT'. AC inlet. AC100V to 240V, 50Hz / 60Hz
- 3. Power Switch**
- 4. Line-out:** Balanced XLR, Internal-DI output to connect MIXER or extra amplifier. This output jack provides line-out signal from 'before speaker driver' stage.
- 5. Volume:** This control located on input stage. It works as gain control.
- 6. Low:** Bass on equalizer f=100Hz, +10dB to -10dB
- 7. High:** Treble on equalizer f=3000Hz, +10dB to -10dB
- 8. Combo-Input:** 1/4 inch jack : balanced, Lo-Z input
XLR jack : balanced Low-Z input
- 9. Power Indicator:** This LED lamp indicates internal DC power.
- 10. CD input:** Use the stereo or mono 3.5mm input to connect CD/PHONE/PC. Stereo signals are merged to mono on this jack.
- 11. Stand Access**

SPECIFICATIONS

- Output:** 100 watts
- Speaker:** 2 x 5.25 inch and 1 x tweeter
- Dimension:** w345 x d190 x h180 / 4.7kg
- Input:** 1/4 inch Balanced input jack (Lo-Z)
XLR Balanced input jack (Lo-Z)
3.5mm aux input for music player
- Output:** one xlr line out
- Amps:** class-D amplifier technology
- Power:** 'Free Volt' AC power: 100v to 240v, 50 / 60hz